

P6系列專業型客製化

▶ 手持操作盒 P6 Series Pendant Station (Professional Customization)

特性

- 專為東方人體型，作人體工學設計，操作順手方便。
- DC5V~DC24V全電壓輸入及防逆向電壓保護設計。
- 抗電磁干擾設計，耐靜電±10KV。
- 防塵防水防油設計。
- 內置永久磁鐵，使用方便。
- 適用三菱、發那科和西門子等數控系統及自動化設備。
- 選購品：急停開關、使能開關(2A)按鍵、LED照明裝置，滿足了各種客製化多功能的產品。

FEATURES

- Ergonomics design, especially for Orientals. Easy to use.
- Reversed voltage protection ranges from DC5V to DC24V
- Electrostatic discharge can be measured up to $\pm 10KV$
- Dustproof, waterproof, and oil proof
- Embedding magnet to secure the unhooked P7 in the included bracket
- Applicable for Mitsubishi, Fanuc, and Siemens etc. numerical control system and automation equipments
- OPTION: emergency stop switch, push button for enabling switch (2A) and LED lighting device. These items meet customer demands for customization and versatile application.

訂購編號 ORDERING INFORMATION

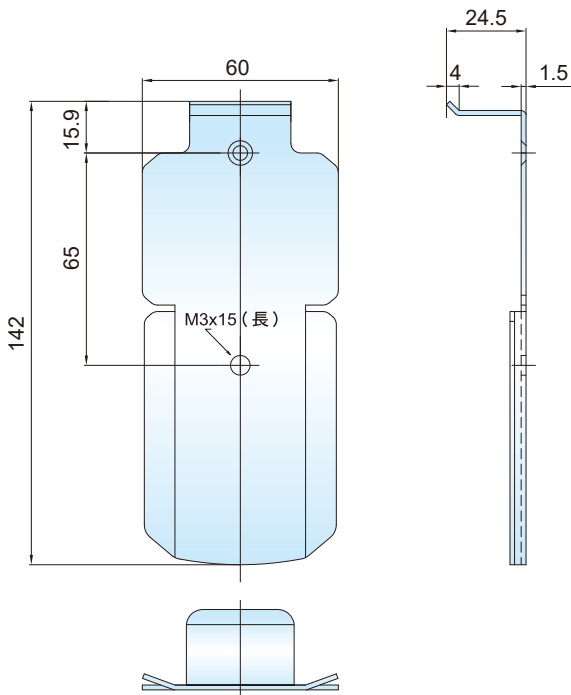
P 6 - CUSTOM - 1 R 5

6系列
6 Series:

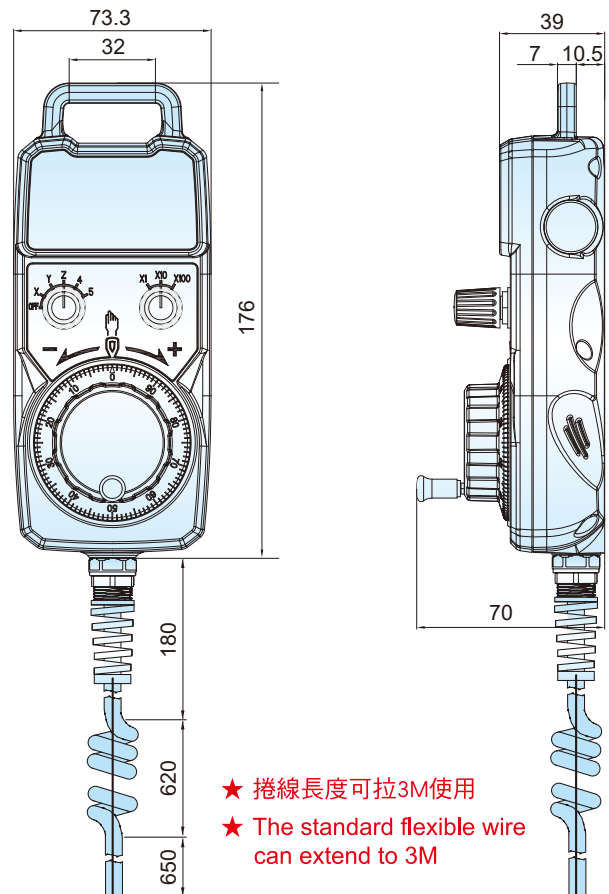
MPG規格 (參照P.10)
MPG Specif. (Ref P.10)

尺寸圖 DIMENSION DRAWING (mm)

P6 托架尺寸- (金屬)
P6 Bracket Dimensions-(Metal)



P6 外型尺寸
P6 Dimensions



通過 IP67 (E 認證!!)
IP67 Approved
CE Certified

應用實例 Example

P6-JOG



P6-Light



P6-2R



P6-EMG



P6-K-EMG



P6-R-EMG

