

RCP小波段開關 RCP Code Switches (Small-Size)

特性

- 小型波段開關，高強度機構設計。
- 採用鍍金雙接點，工作可靠，防止錯誤信號。
- 提供3種編碼：點對點/二進制/葛雷碼。
- 8段選擇，抗靜電，可依客戶需求訂製段數。
- 全密閉構造，具有優異的耐油及防水性能。
- 可選用焊接或連接器連接，方便佈線。
- 應用在手持操作單元和受空間限制應用上。
- $\varnothing 6$ 轉軸一體成型，強度佳，不易斷裂。

FEATURES

- Small-size code switches featuring a durable structure design with 2-year warranty
- Gold plated double contacts provide reliable performance and prevent error signals
- Provide 3 types of encoding schemes: point to point, binary, and Gray codes
- 8 levels and anti-static charge, customer design is available on request
- Fully sealed enclosure enables waterproof, dustproof, and oil proof
- Choice of soldering or connector for further connection, convenient to wiring
- Easy installation with Pendant Station even in restricted interspaces
- Top-down $\varnothing 6.0$ shaft body design, strong and durable for abnormal conditions

訂購編號 ORDERING INFORMATION

RCP - 01M - 3

系列名稱 Series

輸出碼 Output code

位數0-7 Digit

| | | | |
|-------|-----|-----------|----------------|
| 22.5° | 00M | 點對點，22.5° | Point to Point |
| | 01M | 二進制，22.5° | Binary |
| | 03M | 葛雷碼，22.5° | Gray |
| 30° | 00P | 點對點，30° | Point to Point |
| | 01P | 二進制，30° | Bin(PNP) |
| | 01N | 二進制，30° | Bin(NPN) |



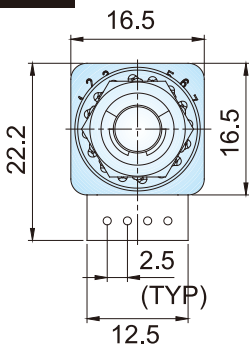
RCP-00M (22.5°)



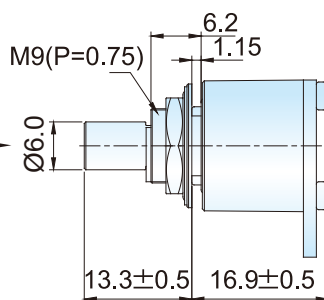
RCP-00P (30°)

尺寸圖 DIMENSION DRAWING (mm)

22.5°

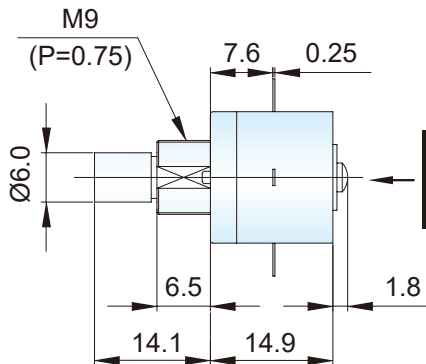
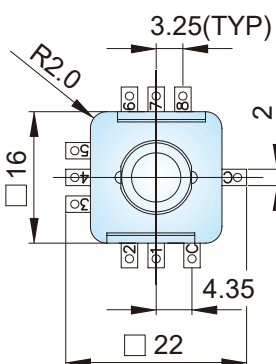


前端定位
FRONT END POSITIONING



應用實例 Example

30°



後端定位
REAR END POSITIONING

面鉸開孔尺寸圖 CUTOUT DIMENSION (mm)

